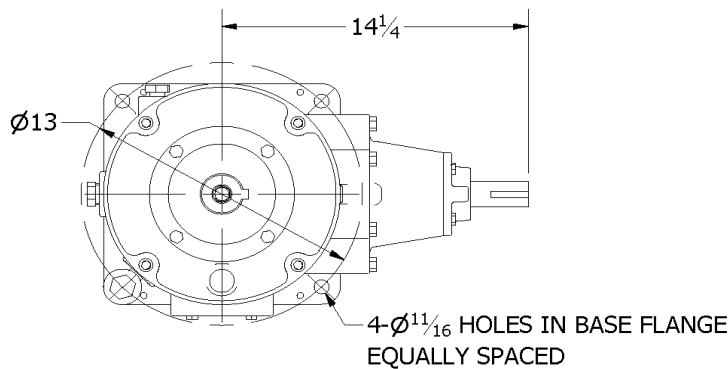


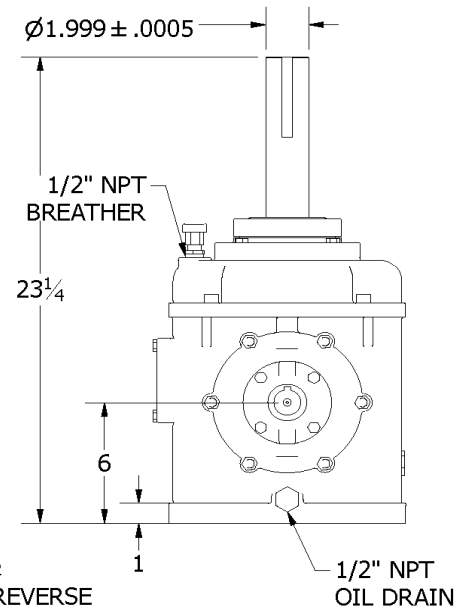
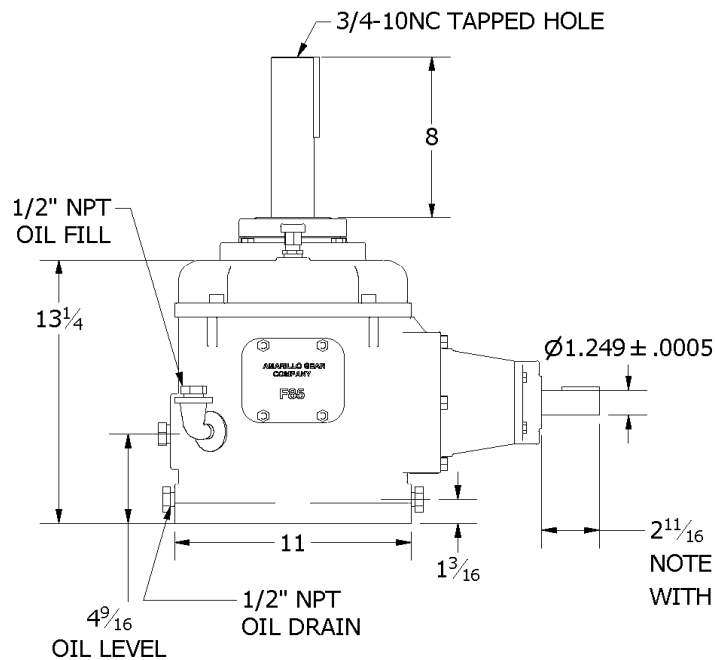
Amarillo Series Fan Drive

Model 85

Amarillo Gear Company LLC reserves the right to make design modifications to our gear drives that may change the given dimensions. The dimensions shown in this document may not exactly reflect the dimensions of gear drives currently being offered. Request a *certified dimension print* for construction use.



HORIZONTAL KEYWAY: 5/16 X 5/32
VERTICAL KEYWAY: 1/2 X 1/4
NORMAL ROTATION: BOTH SHAFTS CLOCKWISE



SERVICE HORSEPOWER RATINGS (2.0 SERVICE FACTOR)

Input (RPM)	Nominal Ratio												
	3.0	3.25	3.5	3.75	4.0	4.25	4.5	4.75	5.0	5.5	6.0	6.5	7.0
1750	45	43	39	36	33	32	28	27	25	20	18	15	15
1450	37	36	32	30	27	26	23	22	21	17	15	12	12
1160	30	29	26	24	22	21	19	18	17	13	12	10	10

THRUST CAPACITY: _____ 1750 lbs.
 OIL TYPE: _____ ISO 220 / AGMA 5 or 5S / No EP additives
 OIL CAPACITY: _____ 1 gallons (4 L)
 WEIGHT, DOMESTIC SHIPPING: _____ 215 lbs.
 WEIGHT, EXPORT SHIPPING w/EXPORT BOX: _____ 245 lbs.
 EXPORT BOX DIMENSIONS (L x W x H): _____ 27 x 15 x 27 (inches)