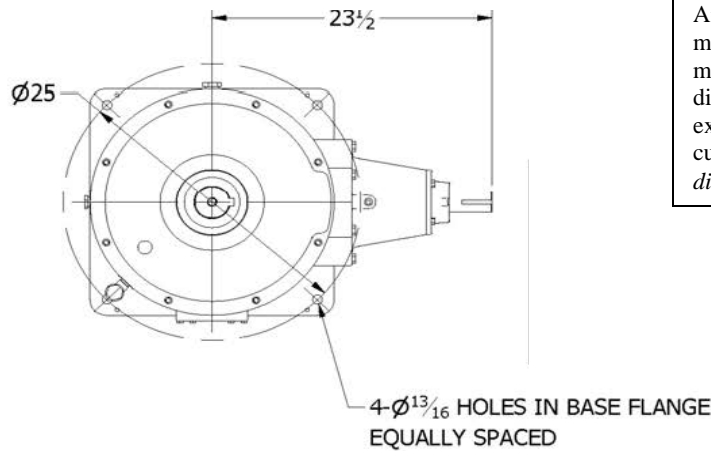


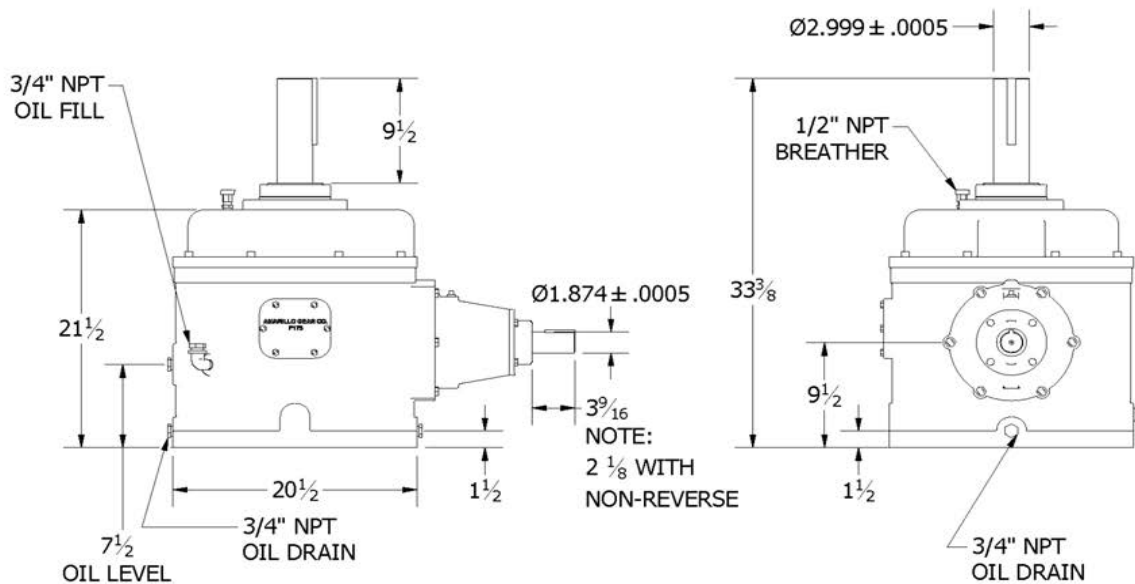
Amarillo Series Fan Drive

Model 175



Amarillo Gear Company LLC reserves the right to make design modifications to our gear drives that may change the given dimensions. The dimensions shown in this document may not exactly reflect the dimensions of gear drives currently being offered. Request a *certified dimension print* for construction use.

HORIZONTAL KEYWAY: 3/8 x 3/16
VERTICAL KEYWAY: 3/4 x 3/8
NORMAL ROTATION: BOTH SHAFTS CLOCKWISE



SERVICE HORSEPOWER RATINGS

(2.0 SERVICE FACTOR)

Input (RPM)	Nominal Ratio								
	5.5	6	6.5	7	7.5	8	8.5	9	9.5
1750	126	112	105	100	80	60	60	60	50
1450	104	92	87	83	66	50	50	50	41
1160	84	74	70	66	53	40	40	40	33

THRUST CAPACITY: _____ 5150 lbs.
 OIL TYPE: _____ ISO 220 / AGMA 5 or 5S / No EP additives
 OIL CAPACITY: _____ 5.5 gallons (21 L)
 WEIGHT, DOMESTIC SHIPPING: _____ 855 lbs.
 WEIGHT, EXPORT SHIPPING w/EXPORT BOX: _____ 940 lbs.
 EXPORT BOX DIMENSIONS (L x W x H): _____ 40 x 27 x 41 (inches)