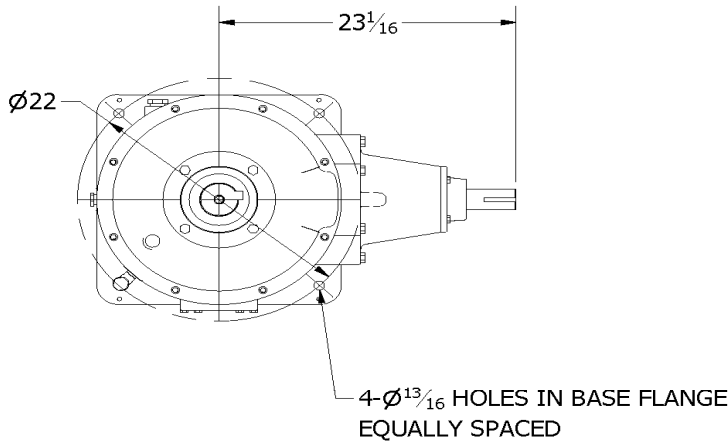


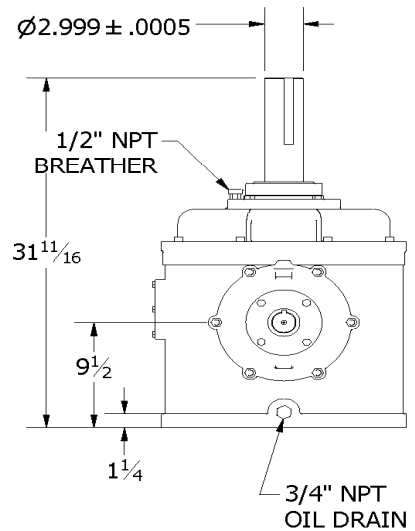
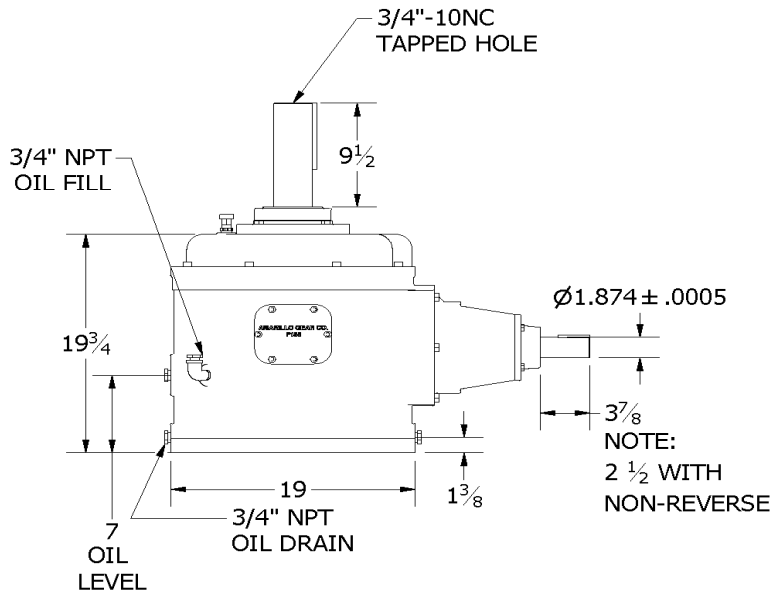
Amarillo Series Fan Drive

Model 155



Amarillo Gear Company LLC reserves the right to make design modifications to our gear drives that may change the given dimensions. The dimensions shown in this document may not exactly reflect the dimensions of gear drives currently being offered. Request a *certified dimension print* for construction use.

HORIZONTAL KEYWAY: 3/8 x 3/16
VERTICAL KEYWAY: 3/4 x 3/8
NORMAL ROTATION: BOTH SHAFTS CLOCKWISE



SERVICE HORSEPOWER RATINGS (2.0 SERVICE FACTOR)

| Input (RPM) | Nominal Ratio | | | | | | | | |
|-------------|---------------|-----|-----|-----|-----|-----|-----|-----|-----|
| | 5.0 | 5.5 | 6.0 | 6.5 | 7.0 | 7.5 | 8.0 | 8.5 | 9.0 |
| 1750 | 110 | 100 | 90 | 85 | 75 | 65 | 55 | 50 | 45 |
| 1450 | 91 | 83 | 75 | 70 | 62 | 54 | 46 | 41 | 37 |
| 1160 | 73 | 66 | 60 | 56 | 50 | 43 | 36 | 33 | 30 |

THRUST CAPACITY: _____ 4700 lbs.
OIL TYPE: _____ ISO 220 / AGMA 5 or 5S / No EP additives
OIL CAPACITY: _____ 5.5 gallons (21 L)
WEIGHT, DOMESTIC SHIPPING: _____ 705 lbs.
WEIGHT, EXPORT SHIPPING w/EXPORT BOX: _____ 855 lbs.
EXPORT BOX DIMENSIONS (L x W x H): _____ 40 x 27 x 41 (inches)