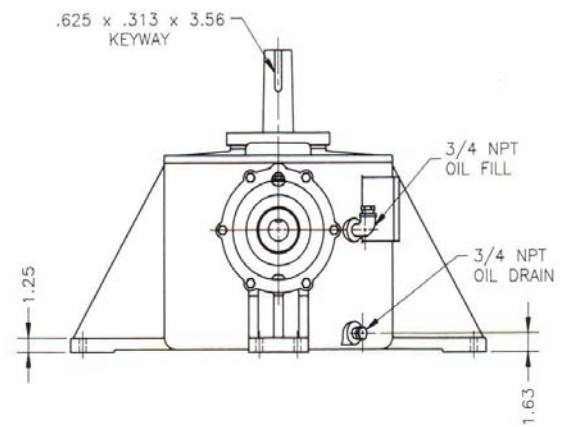
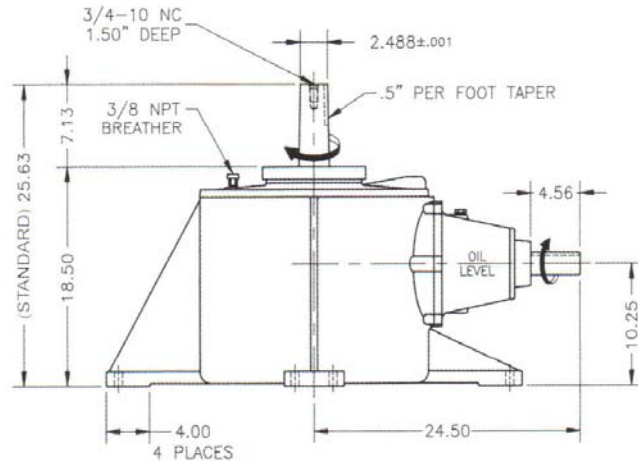
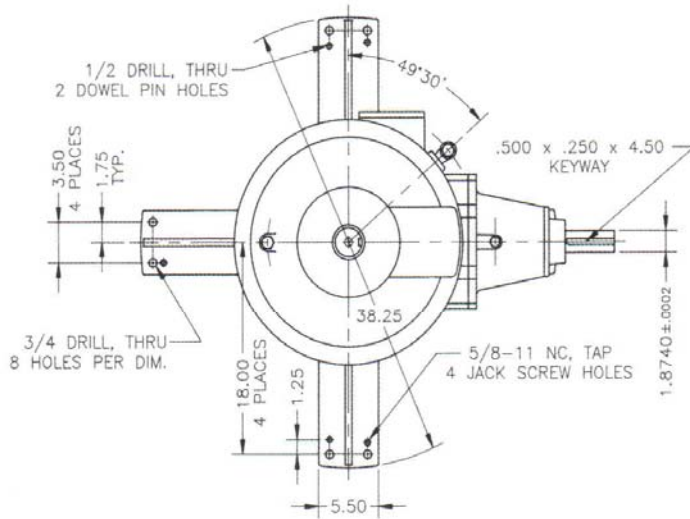


Amarillo Series Fan Drive

Model A27

Amarillo Gear Company LLC reserves the right to make design modifications to our gear drives that may change the given dimensions. The dimensions shown in this document may not exactly reflect the dimensions of gear drives currently being offered. Request a *certified dimension print* for construction use.



SERVICE HORSEPOWER RATINGS (2.0 SERVICE FACTOR)

Input (RPM)	Nominal Ratio			
	5.77	7.71	8.66	9.83
1750	80	75	60	40

OIL TYPE: _____ ISO 220 / AGMA 5 or 5S / No EP additives
 OIL CAPACITY: _____ 10 gallons (38 L)
 WEIGHT, DOMESTIC SHIPPING: _____ 840 lbs.
 WEIGHT, EXPORT SHIPPING w/EXPORT BOX: _____ 940 lbs.
 EXPORT BOX DIMENSIONS (L x W x H): _____ 36 x 40 x 30 (inches)

Amarillo Gear Company can provide a matching output shaft when necessary. A shaft drawing or schematic information will be necessary. See catalog for further details.